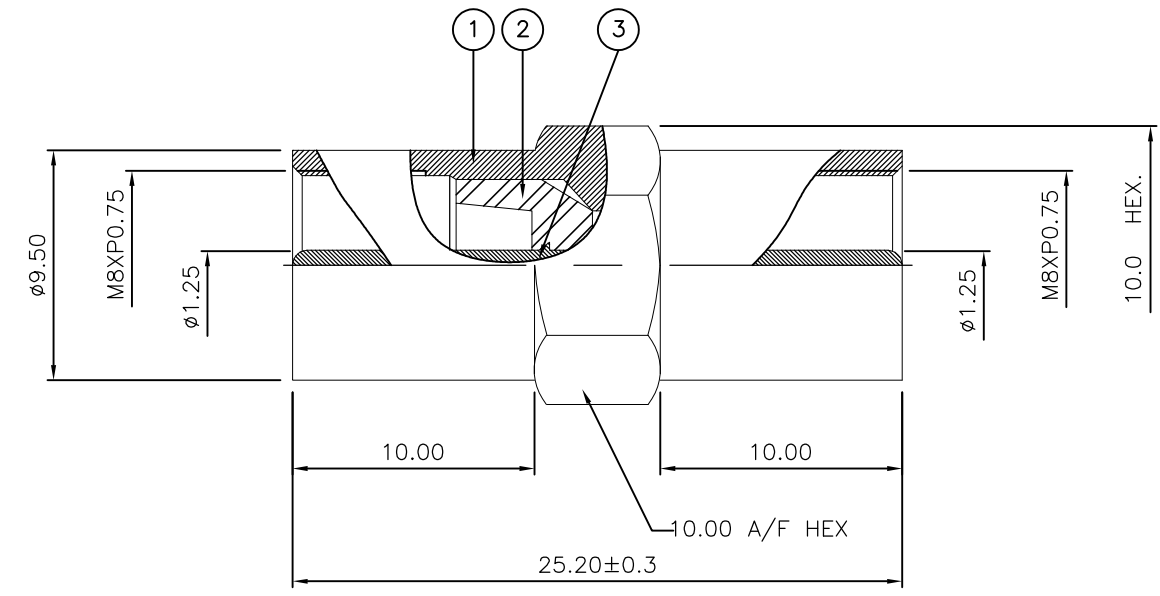


THIS DRAWING IS UNPUBLISHED. RELEASED FOR PUBLICATION FEB ,2006.
 © COPYRIGHT 2006 By - ALL RIGHTS RESERVED.

| LOC | DIST | REVISIONS | | | | | |
|-----|------|-----------|-----|---------------|---------|-------|--------|
| | | P | LTR | DESCRIPTION | DATE | DWN | APVD |
| E | B | | C | ECR-06-002568 | 02FEB06 | JMS | FWK |
| | | | D | ECO-12-011078 | 12JUN12 | TITAN | MARTIN |

- NOTES:
- 1 PACK IN ACCORDANCE WITH AMP SPEC 107-3275
 - 2 100 TRAY PACK IN ACCORDANCE WITH AMP SPEC 107-3275
 - 3 Au PLATING
 - 4 Ni PLATING
 - 5 ELECTRICAL CHARACTERISTICS
 FREQUENCY RANGE: DC - 2 GHz
 NOMINAL IMPEDANCE: 50 Ohm
 INSULATION RESISTANCE: 5000 MOhm
 WORKING VOLTAGE: 335 Volts RMS at Sea Level
 DIELECTRIC WITHSTAND VOLTAGE: 1000 Volts RMS Max
 CONTACT RESISTANCE:
 CENTRE CONTACT: 10.00 mOhm Max
 OUTER CONTACT: 5.00 mOhm Max
 VSWR @ 1GHz: 1.5 Max
 INSERTION LOSS : 0.50 dB Max
 - 6 MECHANICAL CHARACTERISTICS
 COUPLING NUT RETENTION FORCE: 60 lbs MIN.
 DURABILITY: 500 Cycles Min
 RECOMMENDED COUPLING TORQUE: 18 in-lbs MAX.
 - 7 ENVIRONMENTAL CHARACTERISTICS
 OPERATING TEMPERATURE: -55 to +125 DegC



| QTY | QTY PER ASSY | MATERIAL | DESCRIPTION | ITEM |
|------|--------------|----------|-------------|------|
| 1 | 1 | BRASS | CONTACT | 3 |
| 2 | 2 | PTFE | INSULATION | 2 |
| 1 | 1 | BRASS | BODY | 1 |
| 6--0 | 1--0 | | | |

| | | | | | | | | | | | | | | | | |
|--|-----------|------------------|----------------|---------------|----------------------------|-------|-------|-------|-------|--------|-------|-----|--------|------|------|--|
| THIS DRAWING IS A CONTROLLED DOCUMENT. | | DWN | J.SANDWELL | 02FEB06 | STE TE Connectivity | | | | | | | | | | | |
| DIMENSIONS: mm | | CHK | S.PARLOW | 02FEB06 | | | | | | | | | | | | |
| TOLERANCES UNLESS OTHERWISE SPECIFIED: | | APVD | F.WHEELER-KING | 02FEB06 | | | | | | | | | | | | |
| <table border="0"> <tr><td>0 PLC</td><td>± -</td></tr> <tr><td>1 PLC</td><td>± 0.2</td></tr> <tr><td>2 PLC</td><td>± 0.1</td></tr> <tr><td>3 PLC</td><td>± 0.05</td></tr> <tr><td>4 PLC</td><td>± -</td></tr> <tr><td>ANGLES</td><td>± 5'</td></tr> </table> | | 0 PLC | ± - | 1 PLC | | ± 0.2 | 2 PLC | ± 0.1 | 3 PLC | ± 0.05 | 4 PLC | ± - | ANGLES | ± 5' | NAME | |
| 0 PLC | ± - | | | | | | | | | | | | | | | |
| 1 PLC | ± 0.2 | | | | | | | | | | | | | | | |
| 2 PLC | ± 0.1 | | | | | | | | | | | | | | | |
| 3 PLC | ± 0.05 | | | | | | | | | | | | | | | |
| 4 PLC | ± - | | | | | | | | | | | | | | | |
| ANGLES | ± 5' | | | | | | | | | | | | | | | |
| MATERIAL | SEE TABLE | FINISH | - | PRODUCT SPEC | - | | | | | | | | | | | |
| | | APPLICATION SPEC | - | SIZE | A3 | | | | | | | | | | | |
| | | WEIGHT | - | CAGE CODE | 00779 | | | | | | | | | | | |
| | | CUSTOMER DRAWING | | DRAWING NO | C-1337553 | | | | | | | | | | | |
| | | SCALE | NTS | RESTRICTED TO | - | | | | | | | | | | | |
| | | SHEET | 1 OF 1 | REV | D | | | | | | | | | | | |